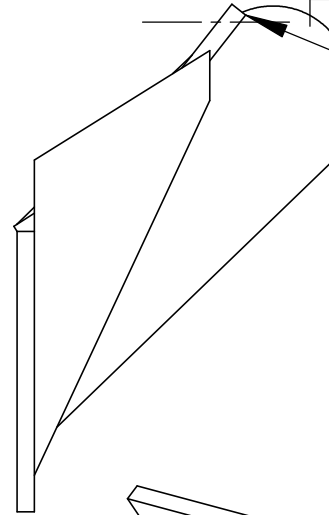
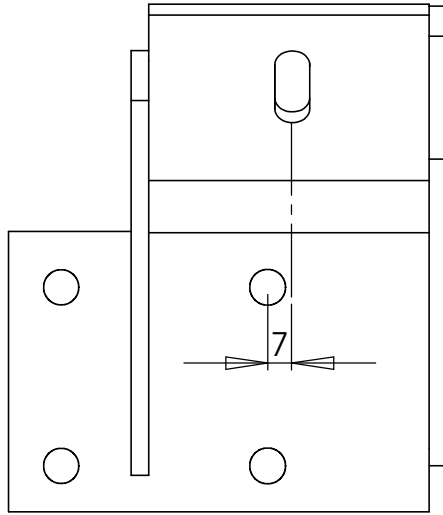
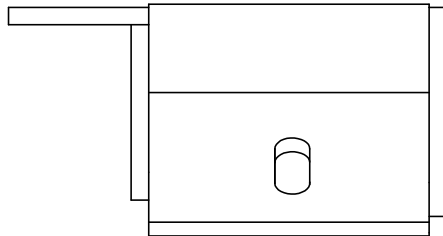
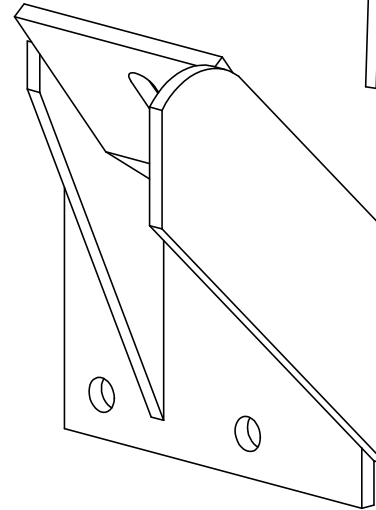
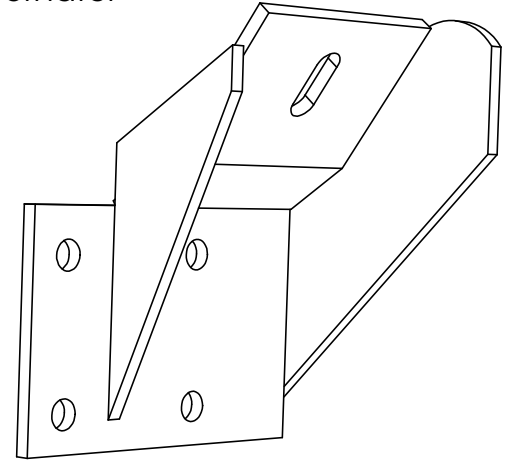


Front →



Bevel to allow clearance for alternator



REVISIONS		DATE	APPROVED
ZONE	REV.	DESCRIPTION	

**PROPRIETARY AND CONFIDENTIAL**  
 THE INFORMATION CONTAINED IN THIS DRAWING IS THE SOLE PROPERTY OF <INSERT COMPANY NAME HERE>. ANY REPRODUCTION IN PART OR AS A WHOLE WITHOUT THE WRITTEN PERMISSION OF <INSERT COMPANY NAME HERE> IS PROHIBITED.

		DIMENSIONS ARE IN INCHES TOLERANCES: FRACTIONAL ± ANGULAR: MACH ± BEND ± TWO PLACE DECIMAL ± THREE PLACE DECIMAL ±	NAME	DATE
			DRAWN	
			CHECKED	
			ENG APPR.	
			MFG APPR.	
		MATERIAL	Q.A.	
		FINISH	COMMENTS:	
NEXT ASSY	USED ON			
APPLICATION		DO NOT SCALE DRAWING		

IntegerSpin.co.uk

Assy view of right engine mount

SIZE	DWG. NO.	REV.
<b>A</b>		
SCALE: 1:2	WEIGHT:	SHEET 1 OF 1